

1 2 3 4

A

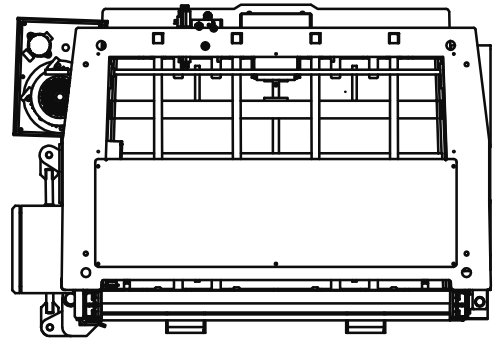
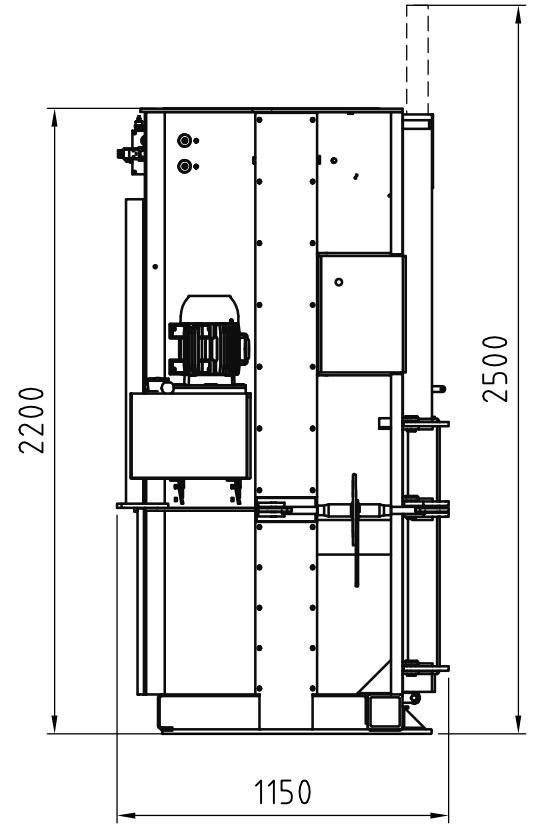
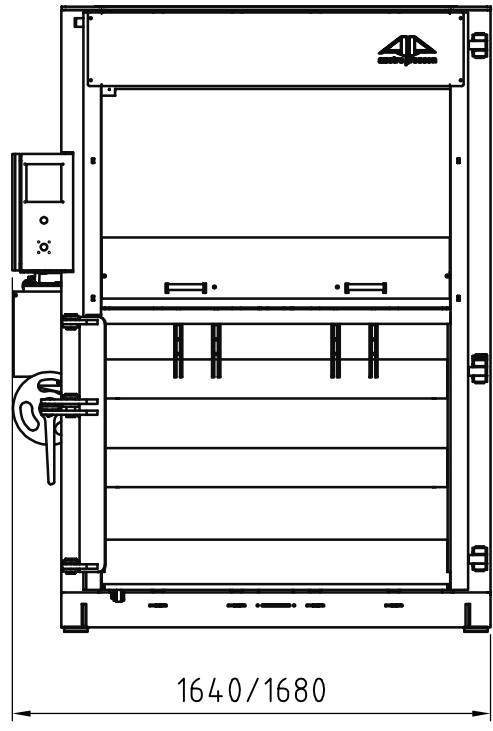
B

C

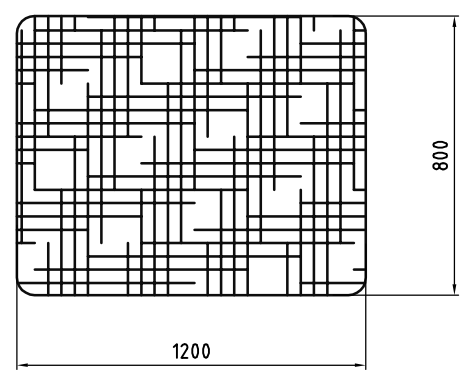
D

E

F



Ballen / bale  
 Höhe:1000  
 height:1000



**Roither**  
**Maschinenbau**  
**Gesmbh**  
*the baler company*  
 A-4863 Seewalchen  
 +43(0)7662/8218



APV 260/520

Maßblatt - dimension sheet

Transport dimensions: 1640/1680x1150x2200	
Gewicht / Weight: 1600/1800kg	
Z.Nr. 12-M/N120-21	Index 1